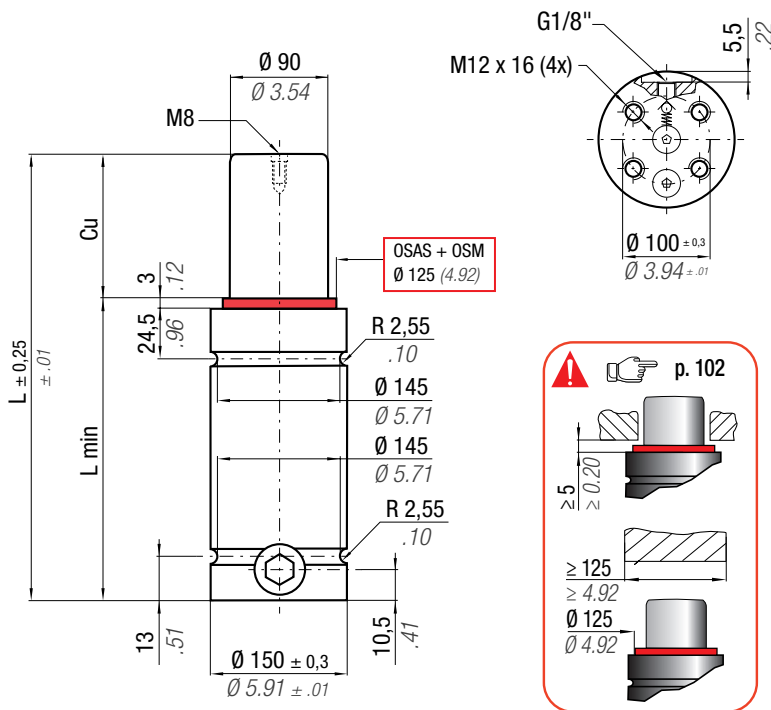




SMS DNH 3203n Rev.3 (TOYOTA)

RT 9500



OSAS + OSM = OVER STROKE ACTIVE SAFETY + OVER STROKE MARKER



Il nuovo codice sarà fornito solo ad esaurimento del vecchio
 The new code will be supplied only when the old will be out of stock
 Der neue Kode wird nur angegeben, wenn der alte nicht mehr lieferbar ist
 Le nouveau code sera fourni uniquement lorsque le vieux stock sera écoulé
 El nuevo código será suministrado sólo cuando se agoten las existencias del antiguo
 O novo código irá ser fornecido apenas quando o antigo esgotar stock

ACTIVE SAFETY



OSAS



USAS



OPAS



* F_{1i} =

Isothermal end force at 100% Cu

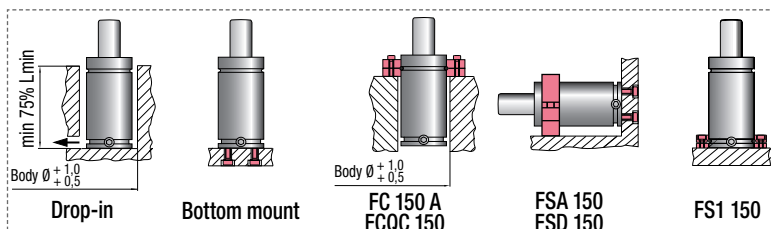
** F_{1p} =

Polytrophic end force at 100% Cu

	0 - 80 °C 32 - 176 °F	ΔP ± 0,33 %/°C	P max 150 bar 2175 psi	P min 20 bar 290 psi	S 63,62 cm ² 9.864 in ²	SPM ~ 20 - 100 (at 20°C)	Max Speed 1,8 m/s 70.8 in/s	Maintenance kit 39BMRV09500C
--	--------------------------	---------------------------	-------------------------------------	-----------------------------------	--	---------------------------------------	--	--

CODE PHASING OUT from 04/2021	NEW	Cu		L		L min		F ₀ Initial force		F _{1i} * End force *		F _{1p} ** End force **		V ₀		PED 2014/68/EU		
		mm	inch	mm	inch	mm	inch	daN	lb	daN	lb	daN	lb	cm ³	in ³	~Kg	~lb	✓
RT 9500 - 019 - A	♦ RT 9500 - 019 - B	19	0.75	116	4.57	97	3.82	9540 ± 5% 150 bar 2175 psi + 20 °C +68 °F	21446	13135	29529	15266	34320	513	31.32	9,58	21.12	✓
RT 9500 - 025 - A	RT 9500 - 025 - B	25	0.98	128	5.04	103	4.06			13676	30745	16106	36208	609	37.19	9,95	21.94	✓
RT 9500 - 032 - A	RT 9500 - 032 - B	32	1.26	142	5.59	110	4.33			14157	31826	16862	37908	722	44.03	10,39	22.91	✓
RT 9500 - 038 - A	RT 9500 - 038 - B	38	1.50	154	6.06	116	4.57			14481	32554	17376	39063	818	49.90	10,76	23.72	✓
RT 9500 - 050 - A	RT 9500 - 050 - B	50	1.97	178	7.01	128	5.04			14968	33649	18156	40817	1010	61.63	11,51	25.38	✓
RT 9500 - 063 - A	RT 9500 - 063 - B	63	2.48	204	8.03	141	5.55			15341	34488	18760	42174	1218	74.35	12,32	27.16	✓
RT 9500 - 075 - A	RT 9500 - 075 - B	75	2.95	228	8.98	153	6.02			15597	35064	19177	43113	1411	86.07	13,07	28.81	✓
RT 9500 - 080 - A	RT 9500 - 080 - B	80	3.15	238	9.37	158	6.22			15686	35264	19323	43440	1491	90.97	13,38	29.50	✓
RT 9500 - 100 - A	RT 9500 - 100 - B	100	3.94	278	10.94	178	7.01			15970	35902	19788	44486	1811	110.52	14,63	32.25	✓
RT 9500 - 125 - A	RT 9500 - 125 - B	125	4.92	328	12.91	203	7.99			16216	36456	20195	45399	2212	134.97	16,19	35.69	✓

♦ Disposable



HOW TO ORDER



INSTALLATION GUIDELINE

