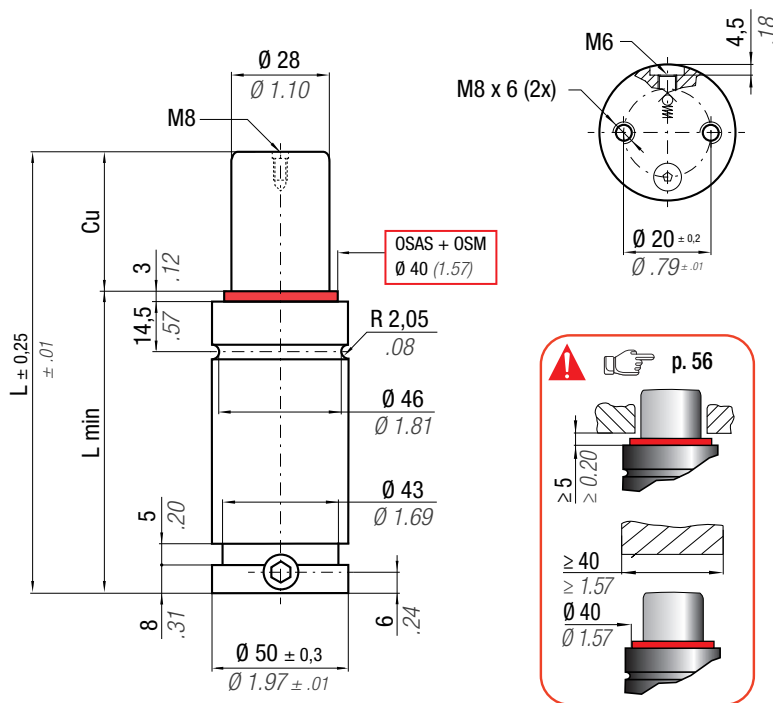




ISO 11901 - 3 B8 3180 220 000 004(MB)	VDI 3003 - Blatt 3 E24.54.815.G (PSA)	B2 4005 (BMW) 39D 997 (VW)	W-DX35-6204 (Ford)
--	--	-------------------------------	--------------------

## RV 1000



**OSAS + OSM** = OVER STROKE ACTIVE SAFETY + OVER STROKE MARKER



Il nuovo codice sarà fornito solo ad esaurimento del vecchio  
 The new code will be supplied only when the old will be out of stock  
 Der neue Kode wird nur angegeben, wenn der alte nicht mehr lieferbar ist  
 Le nouveau code sera fourni uniquement lorsque le vieux stock sera écoulé  
 El nuevo código será suministrado sólo cuando se agoten las existencias del antiguo stock  
 O novo código irá ser fornecido apenas quando o antigo esgotar stock

**ACTIVE SAFETY**



OSAS



USAS



OPAS



p. 247

\*  $F_{1i}$  =

Isothermal end force at 100% Cu

p. 16

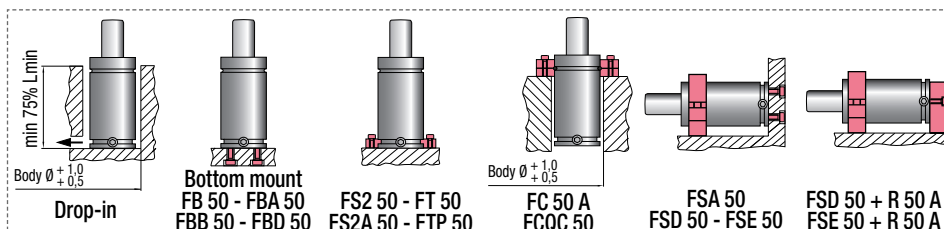
\*\*  $F_{1p}$  =

Polytrophic end force at 100% Cu

N <sub>2</sub>	0 - 80 °C 32 - 176 °F	$\Delta P$ ± 0,33 %/°C	P max 150 bar 2175 psi	P min 20 bar 290 psi	S 6,15 cm <sup>2</sup> 0,953 in <sup>2</sup>	SPM ~ 20 - 100 (at 20°C)	Max Speed 1,8 m/s 70.8 in/s	Maintenance kit 39BMRV01000C
----------------	--------------------------	---------------------------	------------------------------	----------------------------	--	--------------------------------	-----------------------------------	---------------------------------

CODE PHASING OUT from 04/2021	NEW	Cu		L		L min		F <sub>0</sub> Initial force		F <sub>1i</sub> * End force *		F <sub>1p</sub> ** End force **		V <sub>0</sub>		~Kg ~lb		PED 2014/68/EU
		mm	inch	mm	inch	mm	inch	daN	lb	daN	lb	daN	lb	cm <sup>3</sup>	in <sup>3</sup>			
RV 1000 - 010 - A	◆ RV 1000 - 010 - B	10	0.39	58	2.28	48	1.89	920 ± 5% 2068	150 bar 2175 psi	1321	2969	1554	3494	23,7	1.45	0,49	1.08	✓
RV 1000 - 013 - A	◆ RV 1000 - 013 - B	13	0.51	64	2.52	51	2.01			1370	3079	1631	3667	28,4	1.73	0,51	1.12	✓
RV 1000 - 016 - A	RV 1000 - 016 - B	16	0.63	70	2.76	54	2.13			1407	3163	1690	3800	33,1	2.02	0,54	1.19	✓
RV 1000 - 019 - A	RV 1000 - 019 - B	19	0.75	76	2.99	57	2.24			1436	3229	1737	3906	37,7	2.30	0,56	1.23	✓
RV 1000 - 025 - A	RV 1000 - 025 - B	25	0.98	88	3.46	63	2.48			1479	3326	1807	4062	47,1	2.87	0,61	1.34	✓
RV 1000 - 032 - A	RV 1000 - 032 - B	32	1.26	102	4.02	70	2.76			1514	3403	1863	4187	58,0	3.54	0,67	1.48	✓
RV 1000 - 038 - A	RV 1000 - 038 - B	38	1.50	114	4.49	76	2.99			1535	3451	1897	4266	67,4	4.11	0,72	1.59	✓
RV 1000 - 050 - A	RV 1000 - 050 - B	50	1.97	138	5.43	88	3.46			1564	3517	1946	4375	86,1	5.25	0,81	1.79	✓
RV 1000 - 063 - A	RV 1000 - 063 - B	63	2.48	164	6.46	101	3.98			1585	3564	1981	4453	106,3	6.49	0,92	2.03	✓
RV 1000 - 075 - A	RV 1000 - 075 - B	75	2.95	188	7.40	113	4.45			1599	3594	2003	4503	125,0	7.63	1,01	2.23	✓
RV 1000 - 080 - A	RV 1000 - 080 - B	80	3.15	198	7.80	118	4.65	1603	3605	2011	4520	132,8	8.10	1,05	2.31	✓		
RV 1000 - 100 - A	RV 1000 - 100 - B	100	3.94	238	9.37	138	5.43	1618	3636	2034	4573	164,0	10.01	1,21	2.67	✓		
RV 1000 - 125 - A	RV 1000 - 125 - B	125	4.92	288	11.34	163	6.42	1629	3663	2054	4617	202,9	12.38	1,41	3.11	✓		

◆ Disposable



### HOW TO ORDER



### INSTALLATION GUIDELINE

