

RV 12000



OSAS + OSM = OVER STROKE ACTIVE SAFETY + OVER STROKE MARKER

ACTIVE SAFETY

Il nuovo codice sarà fornito solo ad esaurimento del vecchio

The new code will be supplied only when the old will be out of stock

Der neue Kode wird nur angegeben, wenn der alte nicht mehr lieferbar ist

Le nouveau code sera fourni uniquement lorsque le vieux stock sera écoulé

El nuevo código será suministrado sólo cuando se agoten las existencias del antiguo

O novo código irá ser fornecido apenas quando o antigo esgotar stock



OSAS



USAS

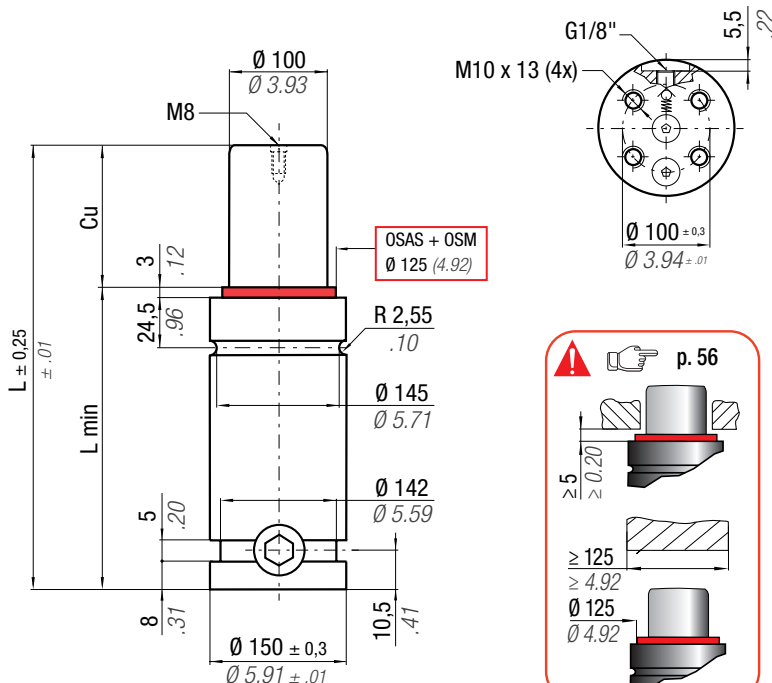


OPAS

easu MANIFOLD p. 247

* F_{1i} = Isothermal end force at 100% Cu p. 16

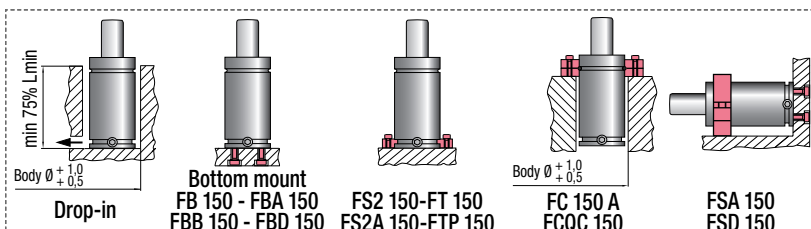
** F_{1p} = Polytropic end force at 100% Cu



N ₂	0 - 80 °C 32 - 176 °F	ΔP ± 0,33 %/°C	P max 150 bar 2175 psi	P min 20 bar 290 psi	S 78,54 cm ² 12.173 in ²	SPM ~ 20 - 80 (at 20°C)	Max Speed 1,8 m/s 70.8 in/s	Maintenance kit 39BMRV12000A
----------------	--------------------------	---------------------------	------------------------------	----------------------------	--	-------------------------------	-----------------------------------	---------------------------------

CODE	PHASING OUT from 04/2021	NEW	Cu	L	L min	F ₀	F _{1i} *	F _{1p} **	V ₀								
			mm	inch	mm	inch	daN	lb	daN	lb	cm ³	in ³	~Kg	~lb	2014/68/EU		
RV 12000 - 019 - A	◆ RV 12000 - 019 - B		19	0.75	116	4.57	97	3.82	16936	38075	19966	44886	568	34.66	9,34	20.59	✓
RV 12000 - 025 - A	RV 12000 - 025 - B		25	0.98	128	5.04	103	4.06	17789	39991	21311	47910	671	40.95	9,73	21.45	✓
RV 12000 - 032 - A	RV 12000 - 032 - B		32	1.26	142	5.59	110	4.33	18565	41737	22555	50706	791	48.27	10,18	22.44	✓
RV 12000 - 038 - A	RV 12000 - 038 - B		38	1.50	154	6.06	116	4.57	19098	42935	23419	52648	894	54.56	10,57	23.30	✓
RV 12000 - 050 - A	RV 12000 - 050 - B		50	1.97	178	7.01	128	5.04	19916	44772	24759	55659	1101	67.19	11,35	25.02	✓
RV 12000 - 063 - A	RV 12000 - 063 - B		63	2.48	204	8.03	141	5.55	20555	46210	25820	58045	1324	80.80	12,20	26.90	✓
RV 12000 - 075 - A	RV 12000 - 075 - B		75	2.95	228	8.98	153	6.02	21001	47212	26566	59723	1531	93.43	12,97	28.59	✓
RV 12000 - 080 - A	RV 12000 - 080 - B		80	3.15	238	9.37	158	6.22	21157	47563	26829	60314	1617	98.68	13,30	29.32	✓
RV 12000 - 100 - A	RV 12000 - 100 - B		100	3.94	278	10.94	178	7.01	21659	48692	27677	62221	1961	119.67	14,60	32.19	✓
RV 12000 - 125 - A	RV 12000 - 125 - B		125	4.92	328	12.91	203	7.99	22101	49685	28430	63912	2391	145.91	16,22	35.76	✓

◆ Disposable



HOW TO ORDER



INSTALLATION GUIDELINE

