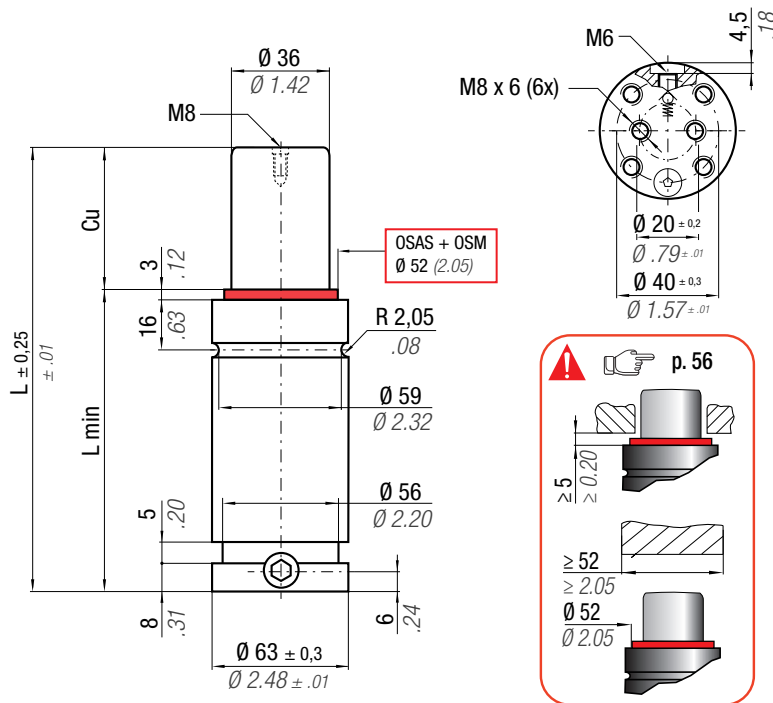




ISO 11901 - 3 B8 3180 220 000 004(MB)	VDI 3003 - Blatt 3 39D 997 (VW)	B2 4005 (BMW)	W-DX35-6204 (Ford)
--	------------------------------------	---------------	--------------------

## RV 1500



**OSAS + OSM** = OVER STROKE ACTIVE SAFETY + OVER STROKE MARKER



Il nuovo codice sarà fornito solo ad esaurimento del vecchio  
 The new code will be supplied only when the old will be out of stock  
 Der neue Kode wird nur angegeben, wenn der alte nicht mehr lieferbar ist  
 Le nouveau code sera fourni uniquement lorsque le vieux stock sera écoulé  
 El nuevo código será suministrado sólo cuando se agoten las existencias del antiguo stock  
 O novo código irá ser fornecido apenas quando o antigo esgotar stock

**ACTIVE SAFETY**



OSAS



USAS



OPAS

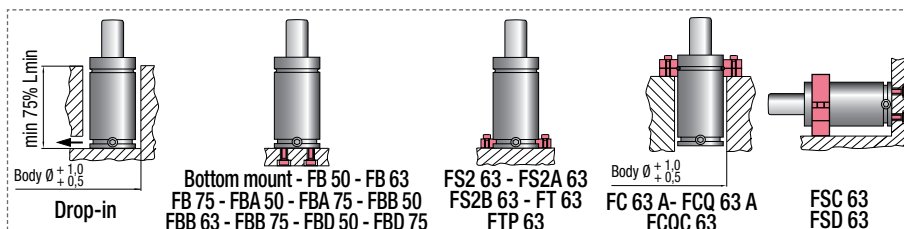
**easu** MANIFOLD p. 247

\*  $F_{1i}$  = Isothermal end force at 100% Cu p. 16  
 \*\*  $F_{1p}$  = Polytrophic end force at 100% Cu

	0 - 80 °C 32 - 176 °F	$\Delta P$ ± 0,33 %/°C	P max 150 bar 2175 psi	P min 20 bar 290 psi	S 10,18 cm <sup>2</sup> 1.578 in <sup>2</sup>	SPM ~ 20 - 100 (at 20°C)	Max Speed 1,8 m/s 70.8 in/s	Maintenance kit 39BMRV01500C
--	--------------------------	---------------------------	------------------------------	----------------------------	---	--------------------------------	-----------------------------------	---------------------------------

CODE PHASING OUT from 04/2021	NEW	Cu		L		L min		F0 Initial force		F <sub>1i</sub> * End force *		F <sub>1p</sub> ** End force **		V0		PED 2014/68/EU		
		mm	inch	mm	inch	mm	inch	daN	lb	daN	lb	daN	lb	cm <sup>3</sup>	in <sup>3</sup>	~Kg	~lb	✓
RV 1500 - 010 - B	◆ RV 1500 - 010 - C	10	0.39	64	2.52	54	2.13	1530 ± 5% 3440	150 bar 2175 psi	2089	4697	2424	5448	44	2.69	0,88	1.94	✓
RV 1500 - 013 - B	◆ RV 1500 - 013 - C	13	0.51	70	2.76	57	2.24			2168	4874	2546	5723	52	3.17	0,91	2.01	✓
RV 1500 - 016 - B	RV 1500 - 016 - C	16	0.63	76	2.99	60	2.36			2230	5012	2642	5939	60	3.66	0,96	2.12	✓
RV 1500 - 019 - B	RV 1500 - 019 - C	19	0.75	82	3.23	63	2.48			2279	5123	2720	6114	68	4.15	0,99	2.18	✓
RV 1500 - 025 - B	RV 1500 - 025 - C	25	0.98	94	3.70	69	2.72			2353	5290	2838	6380	84	5.13	1,06	2.34	✓
RV 1500 - 032 - B	RV 1500 - 032 - C	32	1.26	108	4.25	76	2.99			2414	5426	2935	6599	102	6.22	1,14	2.51	✓
RV 1500 - 038 - B	RV 1500 - 038 - C	38	1.50	120	4.72	82	3.23			2452	5512	2997	6738	118	7.20	1,21	2.67	✓
RV 1500 - 050 - B	RV 1500 - 050 - C	50	1.97	144	5.67	94	3.70			2506	5633	3085	6935	149	9.09	1,36	3.00	✓
RV 1500 - 063 - B	RV 1500 - 063 - C	63	2.48	170	6.69	107	4.21			2544	5720	3148	7078	184	11.23	1,52	3.35	✓
RV 1500 - 075 - B	RV 1500 - 075 - C	75	2.95	194	7.64	119	4.69			2570	5777	3190	7172	215	13.12	1,66	3.66	✓
RV 1500 - 080 - B	RV 1500 - 080 - C	80	3.15	204	8.03	124	4.88			2578	5797	3204	7204	229	13.97	1,72	3.79	✓
RV 1500 - 100 - B	RV 1500 - 100 - C	100	3.94	244	9.61	144	5.67			2605	5857	3249	7303	281	17.15	1,95	4.30	✓
RV 1500 - 125 - B	RV 1500 - 125 - C	125	4.92	294	11.57	169	6.65			2628	5907	3286	7387	347	21.18	2,24	4.94	✓

◆ Disposable



### HOW TO ORDER



### INSTALLATION GUIDELINE

