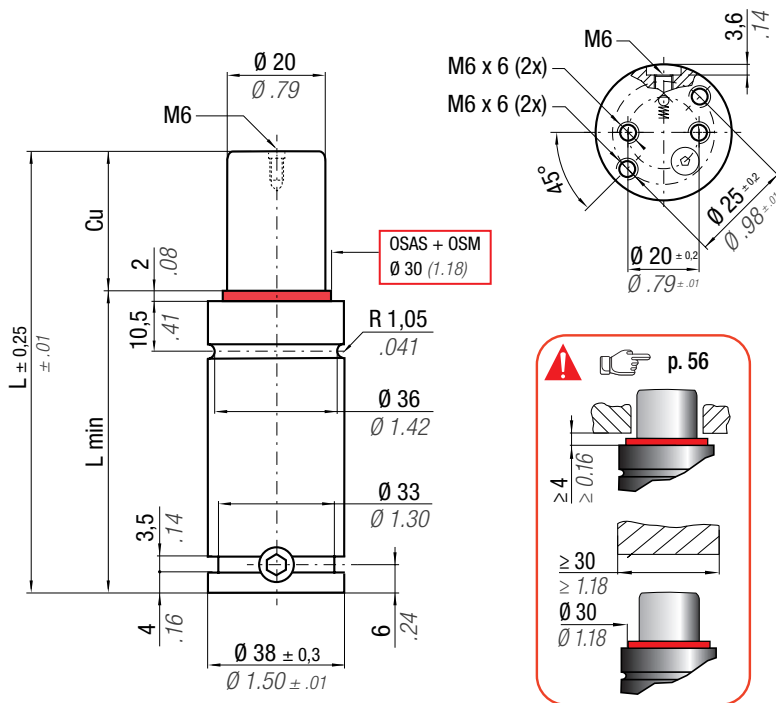




ISO 11901 - 3	VDI 3003 - Blatt 3	B2 4005 (BMW)	075.90.60 (FCA)
W-DX35-6204 (Ford)	B8 3180 220 000 004(MB)	K 32 H (Nissan)	E24.54.815.G (PSA)
EM24.54.700 (Renault)	39D 997 (VW)		

RV 500



OSAS + OSM = OVER STROKE ACTIVE SAFETY + OVER STROKE MARKER



Il nuovo codice sarà fornito solo ad esaurimento del vecchio
 The new code will be supplied only when the old will be out of stock
 Der neue Kode wird nur angegeben, wenn der alte nicht mehr lieferbar ist
 Le nouveau code sera fourni uniquement lorsque le vieux stock sera écoulé
 El nuevo código será suministrado sólo cuando se agoten las existencias del antiguo
 O novo código irá ser fornecido apenas quando o antigo esgotar stock

ACTIVE SAFETY



OSAS



USAS



OPAS



p. 247

* F_{1i} =

Isothermal end force at 100% Cu

p. 16

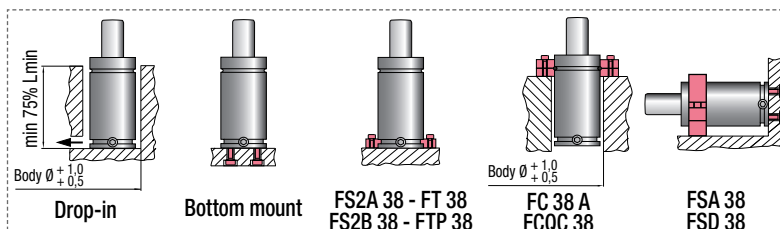
** F_{1p} =

Polytrophic end force at 100% Cu

	0 - 80 °C 32 - 176 °F	ΔP ± 0,33 %/°C	P max 150 bar 2175 psi	P min 20 bar 290 psi	S 3,14 cm ² 0.487 in ²	SPM ~ 20 - 100 (at 20°C)	Max Speed 1,8 m/s 70.8 in/s	Maintenance kit 39BMRV00500C
--	--------------------------	-------------------	------------------------------	----------------------------	--	--------------------------------	-----------------------------------	---------------------------------

CODE PHASING OUT from 04/2021	NEW	Cu		L		L min		F ₀ Initial force		F _{1i} * End force *		F _{1p} ** End force **		V ₀		PED 2014/68/EU		
		mm	inch	mm	inch	mm	inch	daN	lb	daN	lb	daN	lb	cm ³	in ³	~Kg	~lb	✓
RV 500 - 010 - A	◆ RV 500 - 010 - B	10	0.39	50	1.97	40	1.57	470 ± 5% 1057 150 bar 2175psi		696	1565	828	1862	11,2	0.68	0,27	0.60	✓
RV 500 - 013 - A	RV 500 - 013 - B	13	0.51	56	2.20	43	1.69			716	1609	859	1931	13,8	0.84	0,25	0.55	✓
RV 500 - 016 - A	RV 500 - 016 - B	16	0.63	62	2.44	46	1.81			730	1641	882	1982	16,3	0.99	0,26	0.57	✓
RV 500 - 019 - A	RV 500 - 019 - B	19	0.75	68	2.68	49	1.93			740	1664	899	2020	18,9	1.15	0,28	0.62	✓
RV 500 - 025 - A	RV 500 - 025 - B	25	0.98	80	3.15	55	2.17			755	1698	922	2074	24,0	1.46	0,31	0.68	✓
RV 500 - 032 - A	RV 500 - 032 - B	32	1.26	94	3.70	62	2.44			766	1723	941	2115	30,0	1.83	0,34	0.75	✓
RV 500 - 038 - A	RV 500 - 038 - B	38	1.50	106	4.17	68	2.68			773	1738	952	2140	35,1	2.14	0,37	0.82	✓
RV 500 - 050 - A	RV 500 - 050 - B	50	1.97	130	5.12	80	3.15			782	1759	967	2173	45,3	2.76	0,43	0.95	✓
RV 500 - 063 - A	RV 500 - 063 - B	63	2.48	156	6.14	93	3.66			789	1773	977	2196	56,4	3.44	0,49	1.08	✓
RV 500 - 075 - A	RV 500 - 075 - B	75	2.95	180	7.09	105	4.13			792	1782	984	2211	66,6	4.06	0,54	1.19	✓
RV 500 - 080 - A	RV 500 - 080 - B	80	3.15	190	7.48	110	4.33			794	1785	986	2216	70,8	4.32	0,57	1.26	✓
RV 500 - 100 - A	RV 500 - 100 - B	100	3.94	230	9.06	130	5.12			798	1794	992	2231	87,9	5.36	0,66	1.46	✓
RV 500 - 125 - A	RV 500 - 125 - B	125	4.92	280	11.02	155	6.10			801	1801	998	2243	109,2	6.66	0,78	1.72	✓

◆ Disposable



HOW TO ORDER



INSTALLATION GUIDELINE

