

## S 1500

EM24.54.700 (Renault)



**OSAS + OSM** = OVER STROKE ACTIVE SAFETY + OVER STROKE MARKER

### ACTIVE SAFETY

Il nuovo codice sarà fornito solo ad esaurimento del vecchio

The new code will be supplied only when the old will be out of stock

Der neue Kode wird nur angegeben, wenn der alte nicht mehr lieferbar ist

Le nouveau code sera fourni uniquement lorsque le vieux stock sera écolé

El nuevo código será suministrado sólo cuando se agoten las existencias del antiguo

O novo código irá ser fornecido apenas quando o antigo esgotar stock



OSAS



USAS

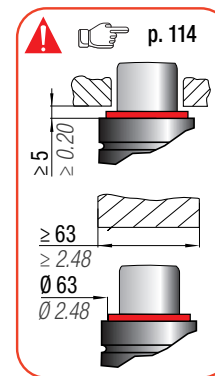
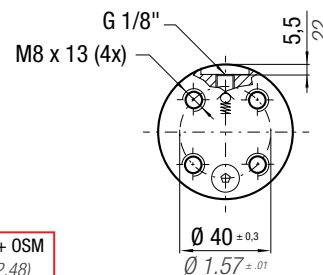
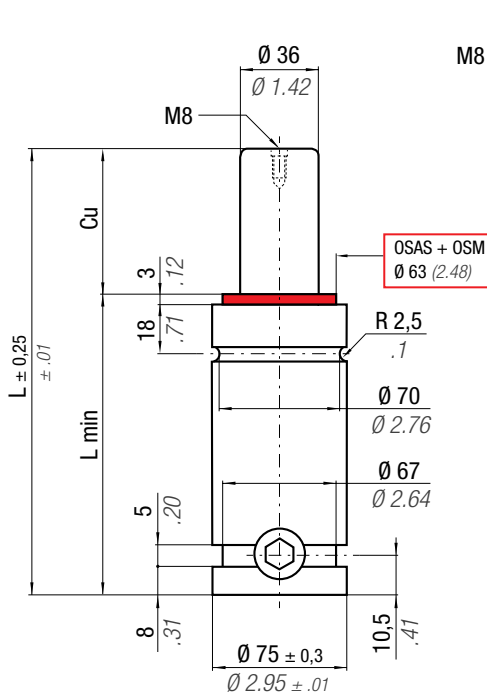


OPAS

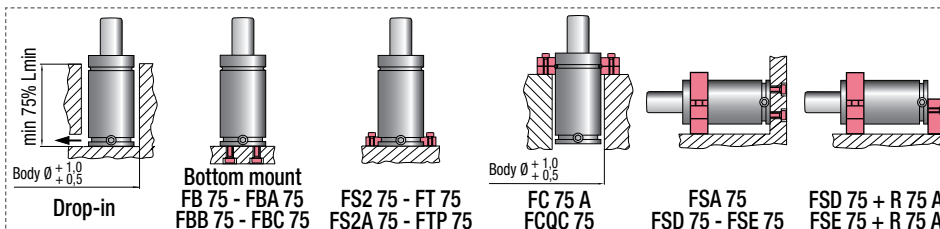
**easu** MANIFOLD p. 247

\*  $F_{1i}$  = Isothermal end force at 100% Cu p. 16

\*\*  $F_{1p}$  = Polytropic end force at 100% Cu



N <sub>2</sub>		0 - 80 °C 32 - 176 °F	$\Delta P$ ± 0,33 %/°C	P max 150 bar 2175 psi	P min 20 bar 290 psi	S 10,18 cm <sup>2</sup> 1,578 in <sup>2</sup>	SPM ~ 20 - 80 (at 20°C)	Max Speed 1,8 m/s 70.8 in/s	Maintenance kit 39BMS01500B	
CODE	NEW	Cu	L	L min	F <sub>0</sub>	F <sub>1i</sub> *	F <sub>1p</sub> **	V <sub>0</sub>		
PHASING OUT from 04/2021		mm inch	mm inch	mm inch	Initial force daN lb	End force * daN lb	End force ** daN lb	cm <sup>3</sup> in <sup>3</sup>	~Kg ~lb	2014/68/EU
S 1500 - 025 - A	S 1500 - 025 - B	25 0.98	110 4.33	85 3.35	1530 3440	2238 5031	2655 5969	93 5.65	2,25 4.96	✓
S 1500 - 038 - A	S 1500 - 038 - B	38 1.50	136 5.35	98 3.86	± 5%	2319 5214	2784 6258	131 7.97	2,53 5.58	✓
S 1500 - 050 - A	S 1500 - 050 - B	50 1.97	160 6.30	110 4.33	150 bar 2175 psi	2363 5312	2854 6416	166 10.11	2,78 6.13	✓
S 1500 - 063 - A	S 1500 - 063 - B	63 2.48	186 7.32	123 4.84		2395 5383	2905 6530	204 12.43	3,06 6.75	✓
S 1500 - 080 - A	S 1500 - 080 - B	80 3.15	220 8.66	140 5.51		2422 5445	2949 6630	253 15.46	3,42 7.54	✓
S 1500 - 100 - A	S 1500 - 100 - B	100 3.94	260 10.24	160 6.30	+ 20 °C +68 °F	2444 5494	2984 6708	312 19.03	3,84 8.47	✓



### HOW TO ORDER



### INSTALLATION GUIDELINE

