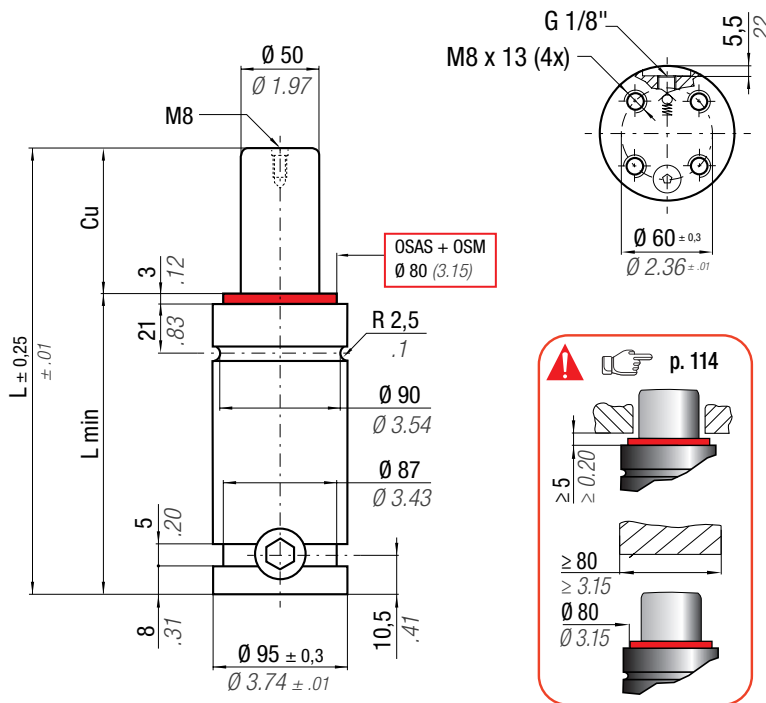




EM24.54.700 (Renault)

S 3000



OSAS + OSM = OVER STROKE ACTIVE SAFETY + OVER STROKE MARKER



Il nuovo codice sarà fornito solo ad esaurimento del vecchio
 The new code will be supplied only when the old will be out of stock
 Der neue Kode wird nur angegeben, wenn der alte nicht mehr lieferbar ist
 Le nouveau code sera fourni uniquement lorsque le vieux stock sera écoulé
 El nuevo código será suministrado sólo cuando se agoten las existencias del antiguo
 O novo código irá ser fornecido apenas quando o antigo esgotar stock

ACTIVE SAFETY



OSAS



USAS



OPAS



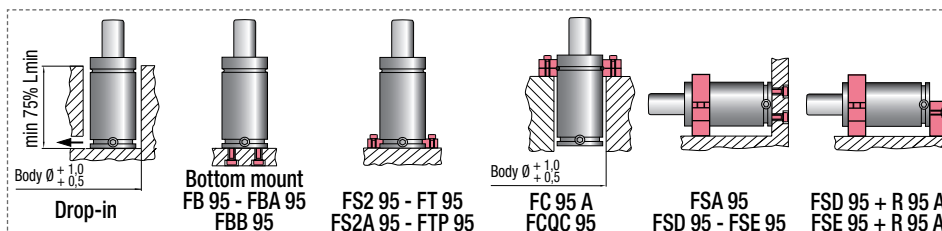
* F_{1i} =

Isothermal end force at 100% Cu

** F_{1p} =

Polytrophic end force at 100% Cu

N ₂		0 - 80 °C 32 - 176 °F	ΔP ± 0,33 %/°C	P max 150 bar 2175 psi	P min 20 bar 290 psi	S 19,63 cm ² 3,043 in ²	SPM ~ 15 - 60 (at 20°C)	Max Speed 1,8 m/s 70.8 in/s	Maintenance kit 39BMS03000B
CODE PHASING OUT from 04/2021	NEW	Cu	L	L min	F ₀	F _{1i} *	F _{1p} **	V ₀	
		mm inch	mm inch	mm inch	daN lb	daN lb	daN lb	cm ³ in ³	~Kg ~lb
S 3000 - 025 - A	S 3000 - 025 - B	25 0.98	120 4.72	95 3.74	2945 6621	4562 10256	5511 12390	160 9.73	4,13 9.11
S 3000 - 038 - A	S 3000 - 038 - B	38 1.50	146 5.75	108 4.25	± 5%	4779 10744	5862 13178	223 13.63	4,61 10.16
S 3000 - 050 - A	S 3000 - 050 - B	50 1.97	170 6.69	120 4.72	150 bar 2175 psi	4900 11016	6060 13623	282 17.21	5,04 11.11
S 3000 - 063 - A	S 3000 - 063 - B	63 2.48	196 7.72	133 5.24		4988 11214	6205 13949	346 21.10	5,51 12.15
S 3000 - 080 - A	S 3000 - 080 - B	80 3.15	230 9.06	150 5.91		5066 11389	6334 14239	429 26.19	6,13 13.51
S 3000 - 100 - A	S 3000 - 100 - B	100 3.94	270 10.63	170 6.69	+ 20 °C +68 °F	5128 11528	6437 14470	527 32.17	6,86 15.12



HOW TO ORDER



INSTALLATION GUIDELINE

