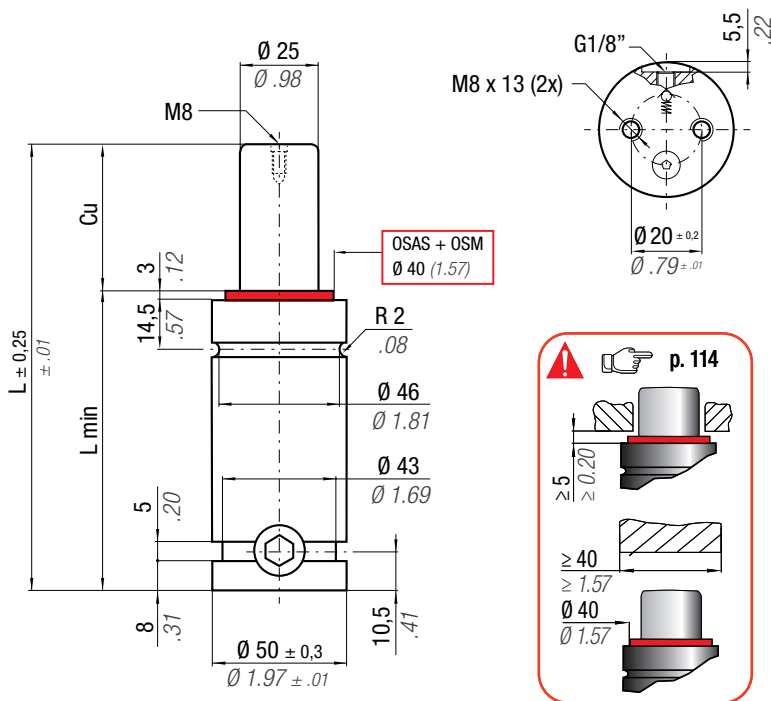




B8 3180 220 000 003(MB)	EM24.54.700 (Renault)	SES-K 5404e (Suzuki)
-------------------------	-----------------------	----------------------

S 750



OSAS + OSM = OVER STROKE ACTIVE SAFETY + OVER STROKE MARKER



Il nuovo codice sarà fornito solo ad esaurimento del vecchio
 The new code will be supplied only when the old will be out of stock
 Der neue Kode wird nur angegeben, wenn der alte nicht mehr lieferbar ist
 Le nouveau code sera fourni uniquement lorsque le vieux stock sera écoulé
 El nuevo código será suministrado sólo cuando se agoten las existencias del antiguo
 O novo código irá ser fornecido apenas quando o antigo esgotar stock

ACTIVE SAFETY



OSAS



USAS



OPAS



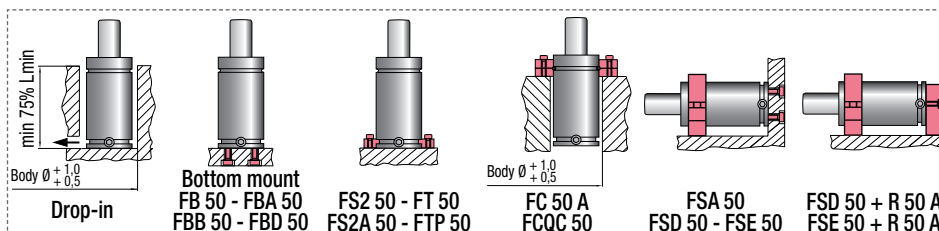
* F_{1i} = Isothermal end force at 100% Cu

** F_{1p} = Polytrophic end force at 100% Cu

N ₂	0 - 80 °C 32 - 176 °F	ΔP ± 0,33 %/°C	P max 150 bar 2175 psi	P min 20 bar 290 psi	S 4,91 cm ² 0,761 in ²	SPM ~ 30 - 80 (at 20°C)	Max Speed 1,8 m/s 70,8 in/s	Maintenance kit 39BMS00750B
----------------	--------------------------	---------------------------	------------------------------	----------------------------	--	-------------------------------	-----------------------------------	--------------------------------

CODE PHASING OUT from 04/2021	NEW	Cu		L		L min		F ₀ Initial force		F _{1i} * End force *		F _{1p} ** End force **		V ₀		PED 2014/68/EU		
		mm	inch	mm	inch	mm	inch	daN	lb	daN	lb	daN	lb	cm ³	in ³	~Kg	~lb	✓
S 750 - 006 - B	◆ S 750 - 006 - C	6	0.24	62	2.44	56	2.20	740 1664 ± 5% 150 bar 2175 psi + 20 °C +68 °F		906	2038	1016	2283	18,4	1.12	0,60	1.32	✓
S 750 - 013 - B	◆ S 750 - 013 - C	13	0.51	76	2.99	63	2.48			994	2234	1147	2579	28,7	1.75	0,66	1.46	✓
S 750 - 019 - B	S 750 - 019 - C	19	0.75	88	3.46	69	2.72			1035	2326	1211	2722	37,5	2.29	0,71	1.57	✓
S 750 - 025 - B	S 750 - 025 - C	25	0.98	100	3.94	75	2.95			1062	2387	1253	2818	46,3	2.83	0,75	1.65	✓
S 750 - 038 - B	S 750 - 038 - C	38	1.50	126	4.96	88	3.46			1098	2468	1309	2944	65,5	4.00	0,85	1.87	✓
S 750 - 050 - B	S 750 - 050 - C	50	1.97	150	5.91	100	3.94			1117	2511	1340	3012	83,1	5.07	0,95	2.09	✓
S 750 - 063 - B	S 750 - 063 - C	63	2.48	176	6.93	113	4.45			1130	2541	1362	3061	102,2	6.24	1,05	2.31	✓
S 750 - 080 - B	S 750 - 080 - C	80	3.15	210	8.27	130	5.12			1142	2568	1381	3104	127,2	7.76	1,18	2.60	✓
S 750 - 100 - B	S 750 - 100 - C	100	3.94	250	9.84	150	5.91			1152	2589	1396	3138	156,7	9.56	1,33	2.93	✓
S 750 - 125 - B	S 750 - 125 - C	125	4.92	300	11.81	175	6.89			1159	2607	1408	3166	193,4	11.80	1,52	3.35	✓

◆ Disposable



HOW TO ORDER



INSTALLATION GUIDELINE

