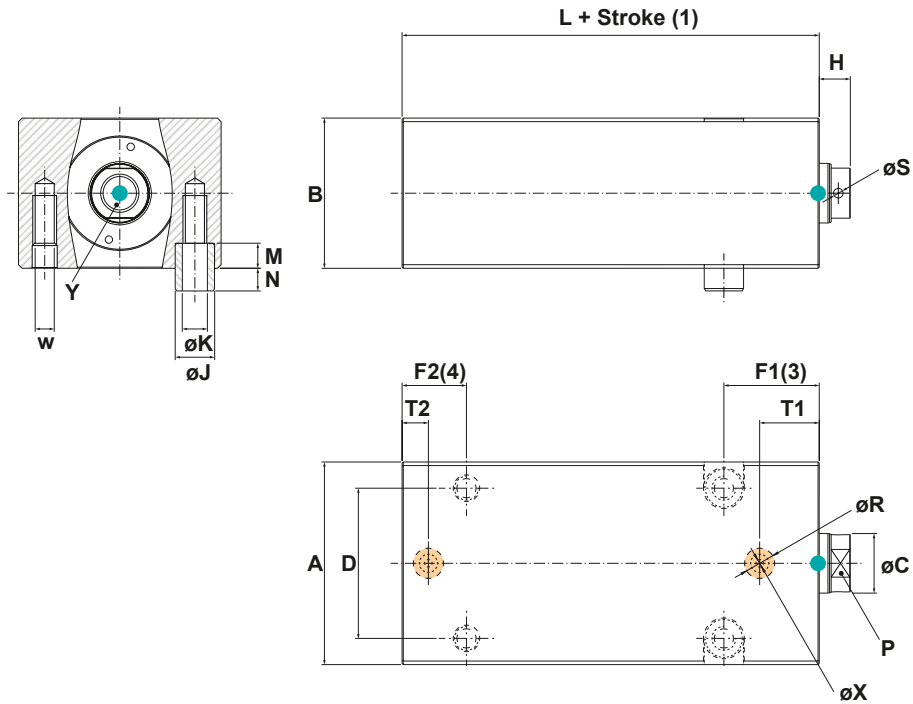


A - FZ

BLOCK CYLINDER

Special Sizes Available On Request.

3D Insertion Reference



HOW TO ORDER

Reference: **A0FZ025-090P2S1**

TYPE	OPERATION MODE	FIXING STYLE	PISTON Ø	STROKE ±0.5 (1)		PURGE (2)	SENSOR (2)	A	B	C	D
				MIN.	MAX.						
A	0	FZ	016	010	100	P0 Px	S0 Sx	60	35	10	40
			025	010	120			65	45	16	50
			032	010	150			75	55	20	55
			040	020	160			85	63	25	63
			050	020	180			100	75	32	76
			063	020	180			125	95	40	95
			080	020	180			160	120	50	120
			100	020	180			200	150	60	158

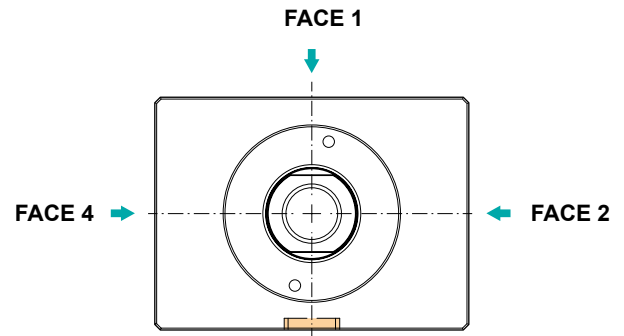
STROKE (1) Can be ordered in multiples of 10mm, between Min. and Max. values.

PURGE / SENSOR(2) Replace x by FACE number.

Special Sizes Available On Request.

● 3D Insertion Reference

PURGE / SENSOR (2) POSITION ORDERING



P0: Without Purge
Px: Purge in FACE x
Replace x by FACE number

SENSOR AND SENSOR ASSEMBLY KIT MUST BE ORDERED SEPARATELY

S0: Without Sensor
Sx: Sensor in FACE x
Replace x by FACE number

F1 (3)	F2 (4)	H ±0.5	J	K	L	M	N	OR	P	R	S	T1	T2	W	X	Y
30 (3)	27.5	8	10.5	6.5	43	6.5	5.5	ø6x1.5	8	9	-	18	11	M6x12	4.5	M6x12
33	30	10	13.5	8.5	48	8.5	7.5	ø8x1.5	13	11	3	21	11	M8x16	5	M10x15
38 (3)	28	12	16.5	10.5	51	10.5	9.5	ø9x2	17	13	4	25	11	M10x20	5.8	M12x15
40	28	13	16.5	10.5	55	10.5	9.5	ø9x2	21	13	4	27	11	M10x20	6.2	M16x25
44	30	14	18.5	13	65	13	11	ø11x2	26	13	5	29.5	13	M12x25	6.8	M20x30
50	41	18	25	17	72	17	15	ø11x2	32	15	5	31	16	M16x32	8	M24x35
60	46	22	31	21	84	21	19	ø13x2	41	15	5	37	17	M20x40	8.5	M30x50
64	54	22	37	25	90	25	23	ø13x2	52	15	5	40	20	M24x50	9	M36x60

(3) PISTON Ø16 & Stroke=10 F1 = 28
PISTON Ø32 & Stroke=10 F1 = 36

(4) PISTON Ø16 & Stroke ≤ 70 F2 = -
PISTON Ø25, Ø32, Ø40, Ø50, Ø63, Ø80, Ø100 & Stroke ≤ 90 F2 = -