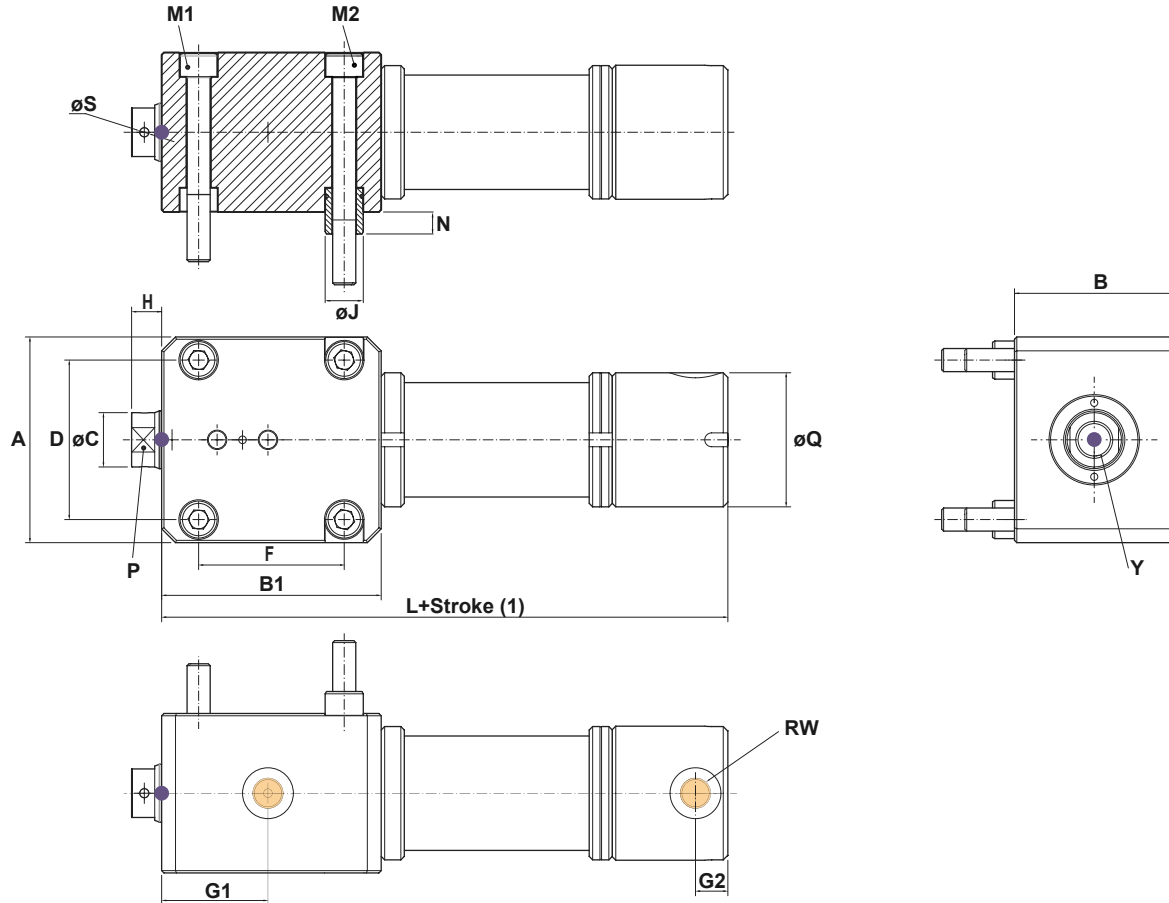


E - CW

LARGE STROKE CYLINDER

Special Sizes Available On Request.

3D Insertion Reference



HOW TO ORDER

Reference: **E0CW040-200**

TYPE	OPERATION MODE	FIXATION	PISTON \varnothing	STROKE ± 0.1 (1)		A	B	B1	C	D	F
				MIN.	MAX.						
E	0	CW	025	100	400	68	49	85	16	51	51
			032	100	400	77	58	90	20	58	56
			040	100	400	89	69	95	25	69	63
			050	100	400	104	80	110	32	80	76
			063	100	400	129	100	125	40	99	81

STROKE (1) Can be ordered in multiples of 10mm, between Min. and Max. values.

E - CW

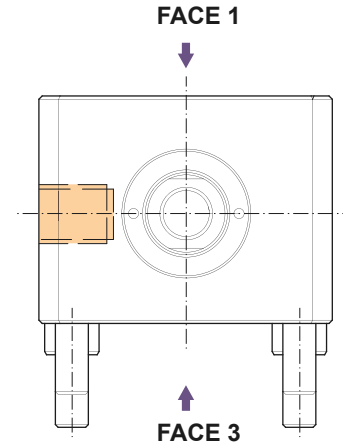
FIXING STYLE

Special Sizes Available On Request.

3D Insertion Reference

PREINSTALLED SENSOR HOUSING ON FACE 1

SENSOR AND SENSOR ASSEMBLY KIT MUST BE ORDERED SEPARATELY



G1	G2	H ±0.5	J	L	M1	M2	N	P	Q	RW	S	Y
36	14	10	13.5	94	M8x55	M8x65	7.5	13	43	1/4"	3	M10x15
42	14	12	16.5	99	M10x65	M10x75	9.5	17	49	1/4"	4	M12x15
46	14	13	16.5	105	M10x75	M10x90	9.5	21	58	1/4"	4	M16x25
52	14	14	18.5	118	M12x90	M12x100	11	26	69	1/4"	5	M20x30
60	21	18	25	140	M16x110	M16x120	15	32	86	1/2"	5	M24x35